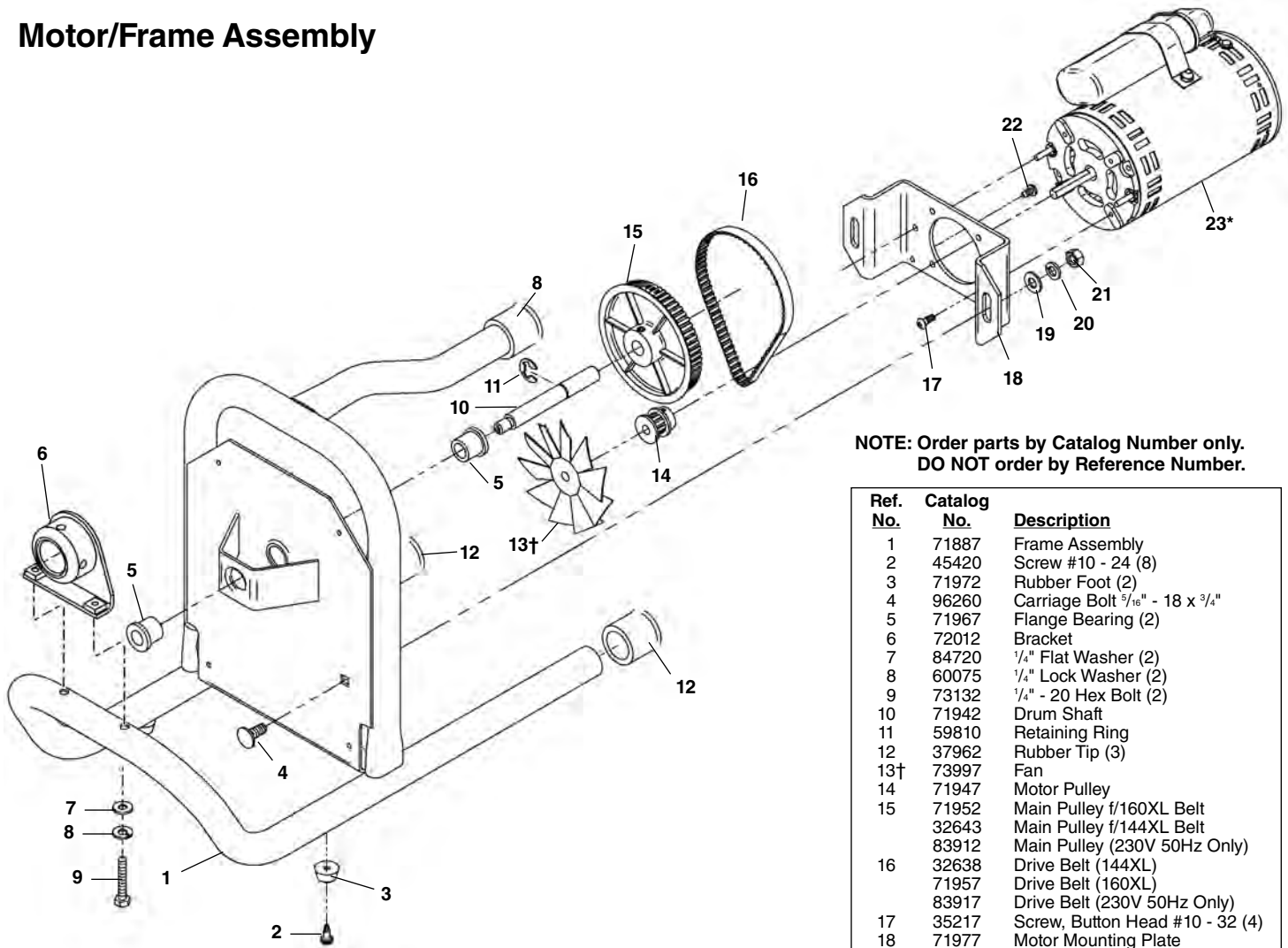


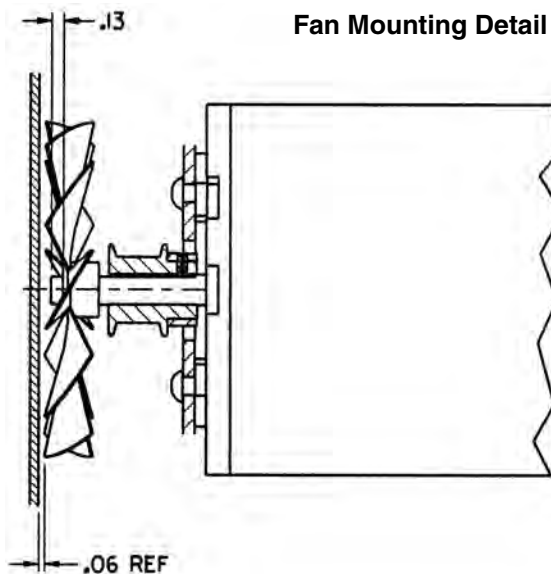
Motor/Frame Assembly



NOTE: Order parts by Catalog Number only. DO NOT order by Reference Number.

Ref. No.	Catalog No.	Description	
1	71887	Frame Assembly	
2	45420	Screw #10 - 24 (8)	
3	71972	Rubber Foot (2)	
4	96260	Carriage Bolt $\frac{5}{16}$ " - 18 x $\frac{3}{4}$ "	
5	71967	Flange Bearing (2)	
6	72012	Bracket	
7	84720	$\frac{1}{4}$ " Flat Washer (2)	
8	60075	$\frac{1}{4}$ " Lock Washer (2)	
9	73132	$\frac{1}{4}$ " - 20 Hex Bolt (2)	
10	71942	Drum Shaft	
11	59810	Retaining Ring	
12	37962	Rubber Tip (3)	
13†	73997	Fan	
14	71947	Motor Pulley	
15	71952	Main Pulley f/160XL Belt	
	32643	Main Pulley f/144XL Belt	
	83912	Main Pulley (230V 50Hz Only)	
16	32638	Drive Belt (144XL)	
	71957	Drive Belt (160XL)	
	83917	Drive Belt (230V 50Hz Only)	
17	35217	Screw, Button Head #10 - 32 (4)	
18	71977	Motor Mounting Plate	
19	60065	Flat Washer $\frac{5}{16}$ " (2)	
20	60080	Lock Washer $\frac{5}{16}$ " (2)	
21	96730	Hex Nut $\frac{5}{16}$ " - 18 (2)	
22	45420	Screw #10 - 24 (8)	
23*	34898	Motor 115V 60Hz w/Thermal Breaker	
	*	34903	Motor 230V 50Hz w/Thermal Breaker
		72022	Motor 100V 50/60Hz

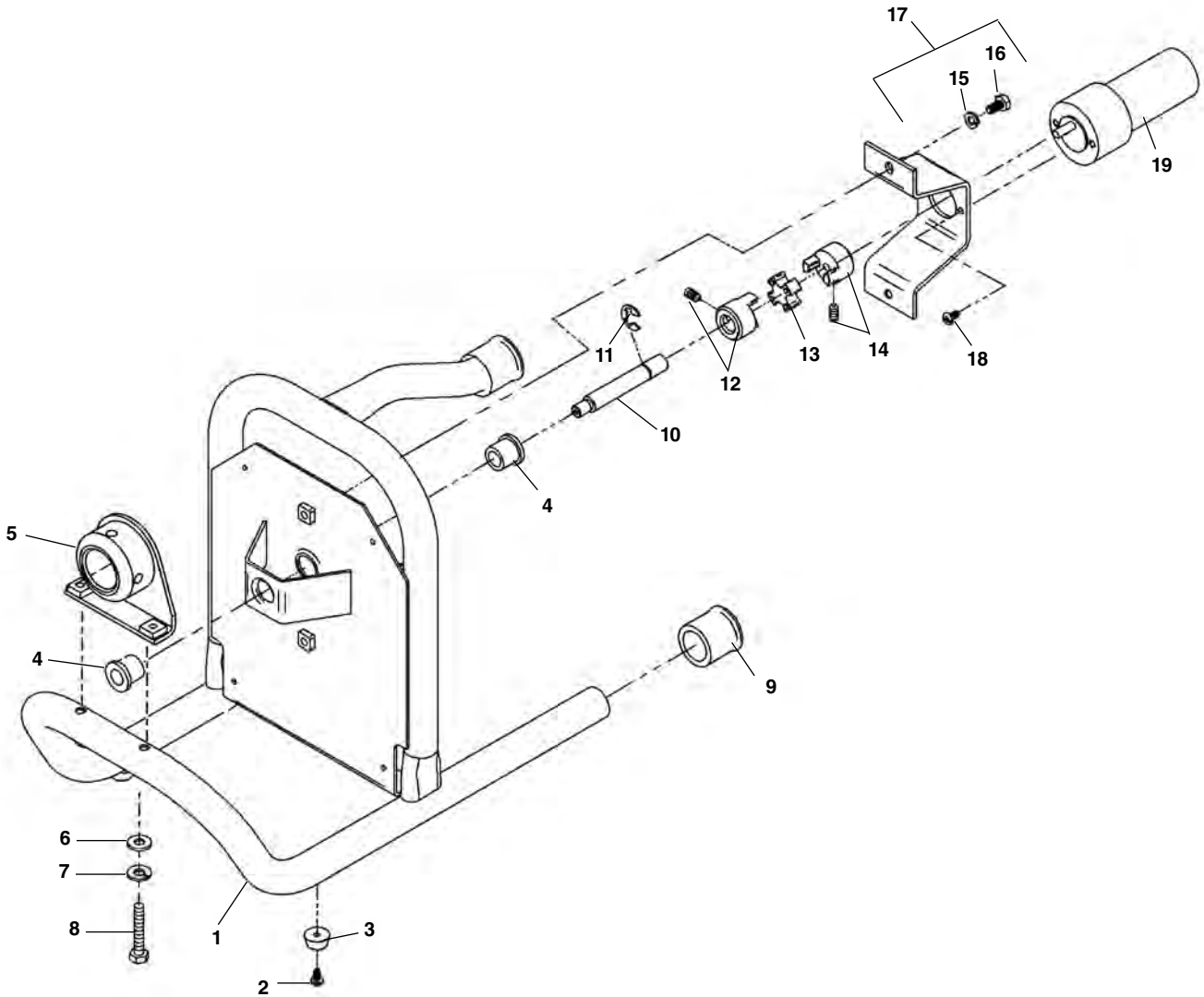
1. Position Fan as Shown.



† Refer to Service Notes for Fan position.

* (Ref No. 23) If replacing motor model #1842424059 then you must also replace the motor shroud catalog #34908.

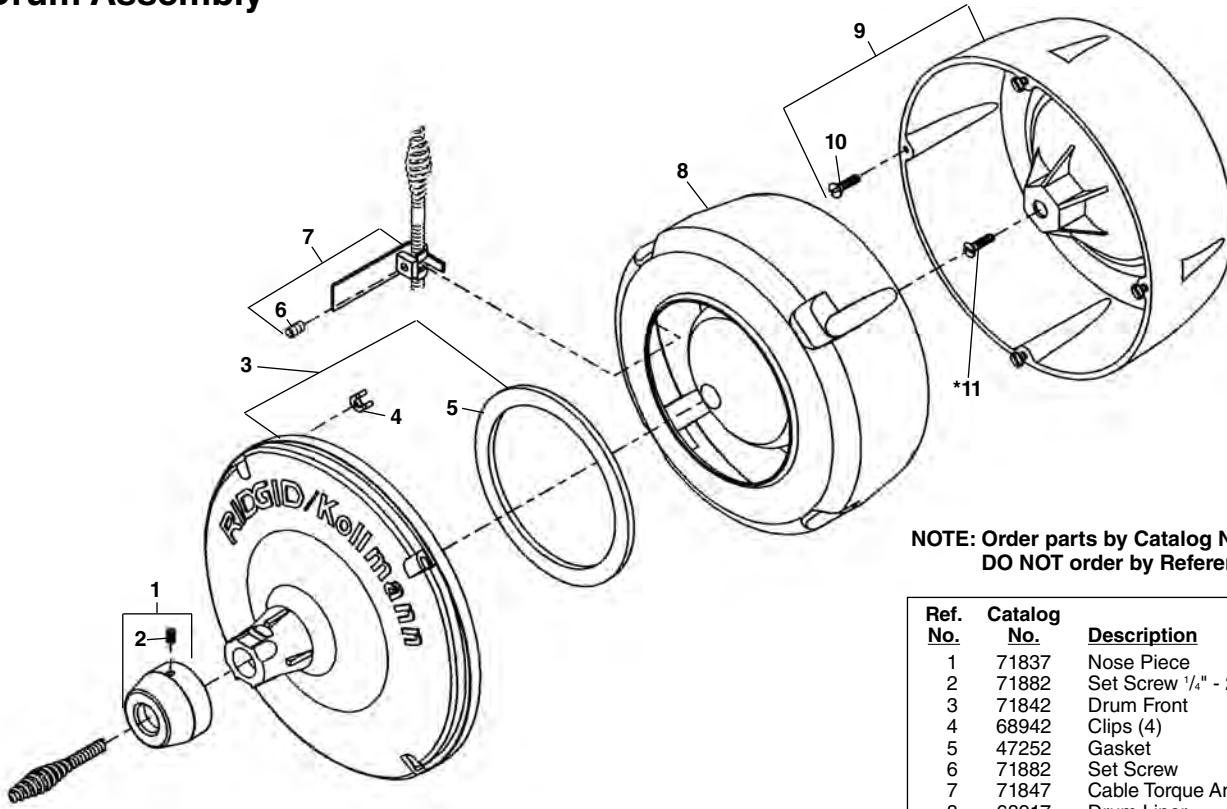
Motor/Frame Assembly



**NOTE: Order parts by Catalog Number only.
DO NOT order by Reference Number.**

Ref. No.	Catalog No.	Description
1	83357	K-40B Tubular Frame Assembly
2	45420	Screw #10 - 24 (8)
3	71972	Rubber Foot (2)
4	71967	Flange Bearing (2)
5	72012	Bracket
6	84720	1/4" Flat Washer (2)
7	60075	1/4" Lock Washer (2)
8	73132	Hex Bolt 1/4" - 20 (2)
9	37962	Rubber Tip (3)
10	83367	Drum Shaft
11	59810	Retaining Ring
12	83377	Coupling End 1/2"
13	83382	Coupling Spider
14	83372	Coupling End 1/4"
15	92615	Washer (2)
16	60265	Hex Screw 1/4" - 20 x 1/2"
17	83402	Motor Mounting Plate (Inc. Ref. No. 11, 12)
18	35217	Screw, Button Head #10 - 32 (2)
19	83397	Motor 14.4V

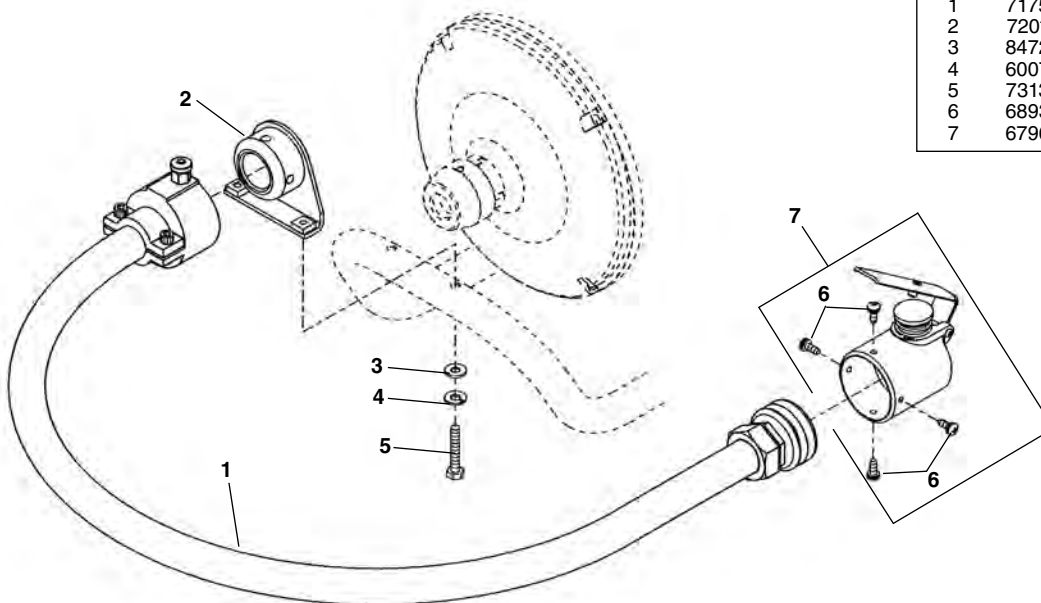
Drum Assembly



**NOTE: Order parts by Catalog Number only.
DO NOT order by Reference Number.**

Ref. No.	Catalog No.	Description
1	71837	Nose Piece
2	71882	Set Screw 1/4" - 20 x 1/2"
3	71842	Drum Front
4	68942	Clips (4)
5	47252	Gasket
6	71882	Set Screw
7	71847	Cable Torque Arm
8	68917	Drum Liner
9	68932	Drum Back
10	69542	Screw #10 - 32 x 1" (4)
*11	76775	Screw L.H. Thread

Old Style AUTOFEED



Ref. No.	Catalog No.	Description
-	71762	A-40G PF Guide Hose/AUTOFEED
1	71757	A-40G Guide Hose Assembly
2	72012	Bracket
3	84720	1/4" Flat Washer (2)
4	60075	1/4" Lock Washer (2)
5	73132	1/4" - 20 Hex Bolt (2)
6	68937	Pan Head Screw #10 -- 24 (4)
7	67962	A-39PF AUTOFEED